



SECURE YOUR SUCCESS!



ManTrap

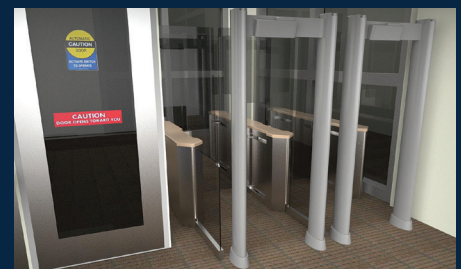
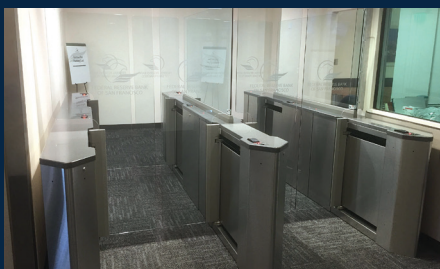
Sequential Locking Ballistic Portal Security Access Chamber

The Aeroturn ManTrap uses the time-proven mechanics of the Aeroturn Portal to achieve a 250% higher throughput than "Revolvers". Ballistic glass and integrated metal detector options are available when you need vault-level security and protection.

FEATURES & BENEFITS

- **Superior No-Wear Geometric Locking** (enter/exit) provides locking strength that exceeds the structural limit of replaceable tempered safety glass or ballistic glass panels
- **Secure single pedestrian access gate** with anti-tailgating optical detection
- **Designed for virtually any situation**, bidirectional at 20 passages/minute or unidirectional by program, 78" (1,981 mm) glass height
- **Low energy consumption**, 96 W (operating), 40 W (idle)
- **Lockdown integration** with metal detectors or optional remote Aeroturn Desk Control
- **Durable and attractive 20-year design** includes extreme duty components and finishes
- **Wheelchair accessible** with 72" long chamber with lane safety; other configurations available

Where ManTrap Turnstiles are Used



GOVERNMENT FACILITIES | BANKS | CORPORATE HEADQUARTERS | LAW ENFORCEMENT | UNIVERSITIES | UTILITIES

ManTrap Product Features

Security

- Integrates with card and bar code readers, fingerprint and facial recognition, and elevator module
- Integrates with existing building management systems
- Tailgating alarm
- Intrusion alarm
- Glass: 12 mm clear ballistic glass
- Lockdown
- Optional intuitively designed Aeroturn Desk Control for remote operation

Finishes

- Cabinet (standard): 304 SST #4 brushed parallel to ground, optional paint with color choice
- Top (standard): Solid Surface by Corian® or HI-MAC®; color choice to match décor
- Moving panel parts (standard): Aeroturn Champagne, optional paint to match cabinet
- Glass: Optional 10 mm clear tempered safety glass
- Customizable decals: Customer seals/ logos, ADA and entrance/exit placards

Factory Installation

- Aeroturn installed anchorage and low voltage wiring and commissioning
- Optional AeroDuct floor trough wire management
- Optional platform system that requires no anchors
- Optional cable covers matched to cabinet

Safety and Emergency

- Key operated power on/off switch
- Key operated emergency release (panels lock open)
- Optional push-panel-to-exit mechanism available
- Optional battery backup to operate 1,000 cycles without site power

Electrical

- Relay-buffered PLC inputs
- 24 V, 10 A max inrush current
- On-board power boost for motor longevity
- Power 2 lanes with single 120 V, 20 A breaker

Warranty / Life Expectancy

- 5-year warranty on mechanical components
- 1-year warranty on electrical components
- 20-year design
- Factory tested to 10 million+ cycles
- Optional PMs for deep internal cleaning and upgrades

Normal Operation

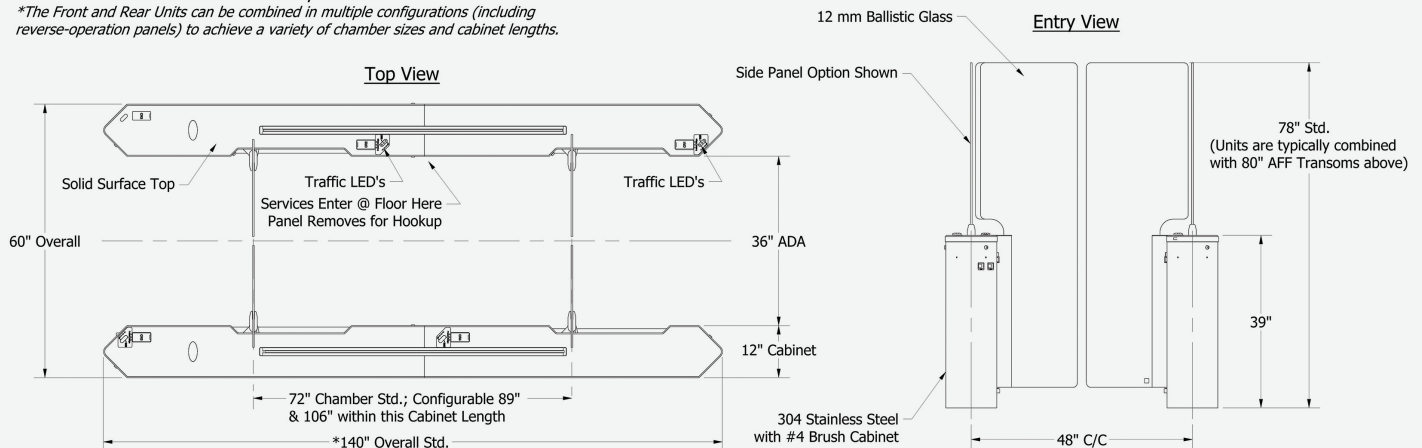
- Unidirectional or bidirectional
- Top mounted LED direction indicators
- Lane safety in either direction
- Card access in either direction
- Auto-exit capable
- Site-programmable security profile

Accessories

- Matching machine-mounted fixed-panel barrier to secure adjacent spaces
- Matching floor standing glass walls
- LED accents tunable to color range

Standard 140PR ManTrap Shown

*The Front and Rear Units can be combined in multiple configurations (including reverse-operation panels) to achieve a variety of chamber sizes and cabinet lengths.



Schedule a Demo Today!