



SECURE YOUR SUCCESS!



Portal

Locking Compound-Motion Security Access Gate

Our workhorse access gate, the Aeroturn Portal, features passageways up to 42" wide, glass up to 78" high and narrow cabinets (<12") for high floorspace utilization, making them ideal for elevator banks. With up to 60 passages/minute bidirectional throughput, the Portal is the fastest access gate in its class. Ballistic glass and other options are available.

FEATURES & BENEFITS

- **Superior No-Wear Geometric Locking** (enter/exit) provides locking strength that exceeds structural limit of replaceable tempered glass panel
- **Secure single pedestrian** access gate with anti-tailgating optical detection
- **Designed for virtually any situation**, including both bidirectional and unidirectional programmable applications
- **Low energy consumption**, 24 W (operating), 10 W (idle)
- **Quiet operation**, can be installed in hallways without disturbing occupants
- **Durable and attractive 20-year design** includes extreme duty components and finishes
- **Wheelchair accessible** with lane safety, panel tips never move toward wheelchair footrest due to compound-motion

Where Portal Turnstiles are Used



GOVERNMENT FACILITIES | BANKS | CORPORATE HEADQUARTERS | LAW ENFORCEMENT | UNIVERSITIES | UTILITIES

Portal Product Features

Security

- Integrates with card and bar code readers, fingerprint and facial recognition, and elevator module
- Integrates with existing building management systems
- Tailgating alarm
- Intrusion alarm
- Glass: Optional 12 mm ballistic glass
- Optional intuitively designed Aeroturn Desk Control for remote operation

Finishes

- Cabinet (standard): 304 SST #4 brushed parallel to ground, optional paint with color choice
- Top (standard): Solid Surface by Corian® or HI-MAC®; color choice to match décor
- Moving panel parts (standard): Aeroturn Champagne, optional paint to match cabinet
- Glass: Clear 10 mm tempered safety glass
- Customizable decals: Customer seals/logos, ADA and entrance/exit placards

Factory Installation

- Aeroturn installed anchorage and low voltage wiring and commissioning
- Optional AeroDuct floor trough wire management
- Optional platform system that requires no anchors
- Optional cable covers matched to cabinet

Safety and Emergency

- Key operated power on/off switch
- Key operated emergency release (panels lock open)
- Optional "No Prior Knowledge" emergency egress panels
- Optional exit door type push-bar for emergency egress of locked panels
- Optional battery backup to operate 2,000 cycles without site power

Electrical

- Relay-buffered PLC inputs
- 24 V, 4 A max inrush current
- On-board power boost for motor longevity
- Power 4 lanes with single 120 V, 20 A breaker

Warranty / Life Expectancy

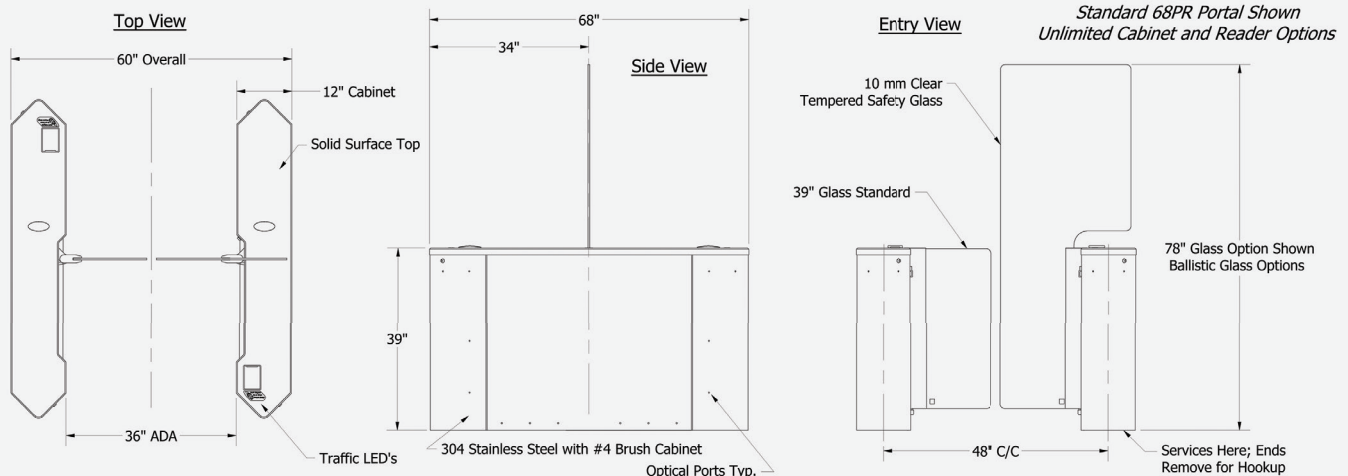
- 5-year warranty on mechanical components
- 1-year warranty on electrical components
- 20-year design
- Factory tested to 10 million+ cycles
- Optional PMs for deep internal cleaning and upgrades

Normal Operation

- Unidirectional or bidirectional
- Top mounted LED direction indicators
- Lane safety in either direction
- Card access in either direction
- Auto-exit capable
- Site-programmable security profile

Accessories

- Matching machine-mounted fixed-panel barrier to secure adjacent spaces
- Matching floor standing glass walls
- LED accents tunable to color range



Schedule a Demo Today!