



SECURE YOUR SUCCESS!



Linear

Locking Twin or Single Drop Arm Turnstiles

Our library-quiet take on the classic drop arm configuration, Aeroturn Linear turnstiles are available in twin or single arm options. They are the ADA-compliant companions to our Aeroturn Rotary turnstiles and include pass-under detection and alerts.

FEATURES & BENEFITS

- **Superior No-Wear Geometric Locking** (enter/exit) provides locking strength that exceeds structural limit of replaceable aluminum or stainless steel arm
- **Secure single pedestrian** access gate with anti-tailgating and pass-under optical detection
- **Designed for virtually any situation**, bidirectional at 60 passages/minute or unidirectional by program, passage widths up to 70" with twin arms
- **Low energy consumption**, 24 W (operating), 10 W (idle)
- **Small footprint, quiet operation**, can be installed in hallways without disturbing occupants
- **Durable and attractive 20-year design** includes extreme environment detectors
- **Wheelchair accessible** with lane safety

Where Linear Turnstiles are Used



GOVERNMENT FACILITIES | BANKS | CORPORATE HEADQUARTERS | LAW ENFORCEMENT | UNIVERSITIES | UTILITIES

Linear Product Features

Security

- Integrates with card and bar code readers, fingerprint and facial recognition, and elevator module
- Integrates with existing building management systems
- Tailgating alarm
- Intrusion alarm
- Optional intuitively designed Aeroturn Desk Control for remote operation

Finishes

- Cabinet (standard): 304 SST #4 brushed parallel to ground, optional paint with color choice
- Top (standard): 304 SST #4 brushed parallel to ground, optional paint with color choice
- Arm material: Brushed aluminum or stainless steel
- Customizable decals: Customer seals/logos, ADA and entrance/exit placards

Factory Installation

- Aeroturn installed anchorage and low voltage wiring and commissioning
- Optional AeroDuct floor trough wire management
- Optional platform system that requires no anchors
- Optional cable covers matched to cabinet

Safety and Emergency

- Key operated power on/off switch
- Key operated emergency release (arm drops to lowered position)
- Optional "No Prior Knowledge" emergency egress arms
- Optional battery backup to operate 2,000 cycles without site power

Electrical

- Relay-buffered PLC inputs
- 24 V, 4 A max inrush current
- On-board power boost for motor longevity
- Power 4 lanes with single 120 V, 20 A breaker

Warranty / Life Expectancy

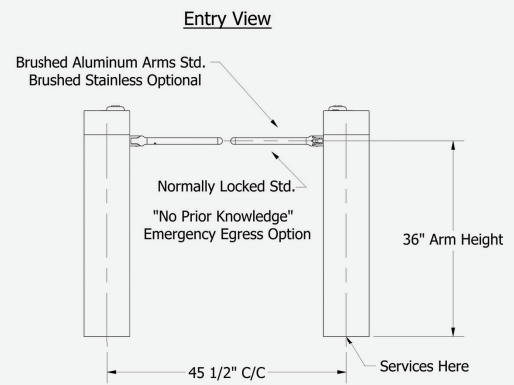
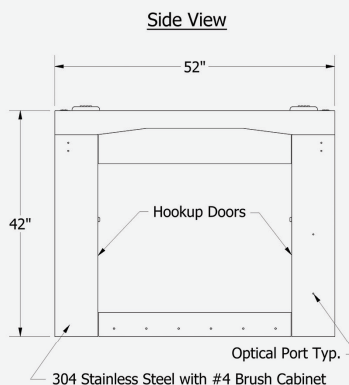
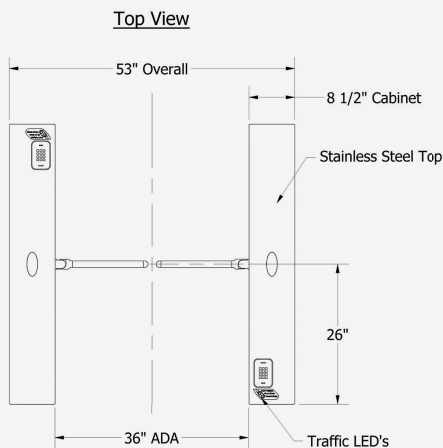
- 5-year warranty on mechanical components
- 1-year warranty on electrical components
- 20-year design
- Factory tested to 10 million+ cycles
- Optional PMs for deep internal cleaning and upgrades

Normal Operation

- Unidirectional or bidirectional
- Top mounted LED direction indicators
- Lane safety in either direction
- Card access in either direction
- Auto-exit capable
- Site-programmable security profile

Accessories

- Matching machine-mounted fixed-arm barrier to secure adjacent spaces
- Matching floor standing glass walls
- LED accents tunable to color range



Standard 52SQ Twin Arm Linear Shown
Unlimited Cabinet and Reader Options
Single Arm version also available

The Linear and Rotary Mechanics are interchangeable in each other's Cabinets!

Schedule a Demo Today!